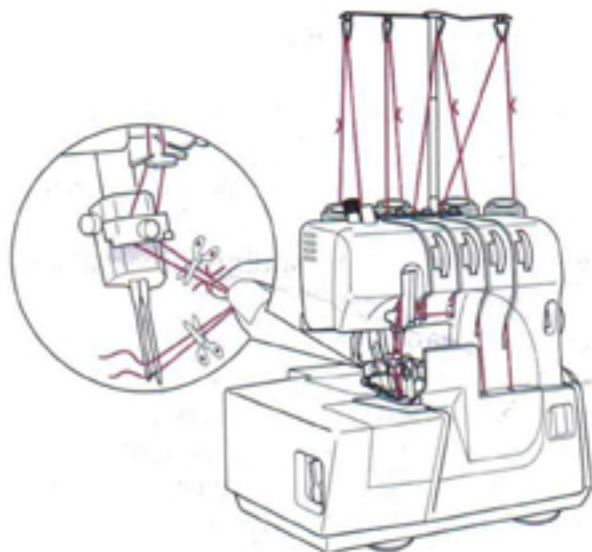


5

Tying-on Threading Method

The Simplicity serger comes with thread already threaded through the thread paths. Simply tie the ends of your thread spools or cones to the ends of the existing threads and sew each strand through. Here's how:



1. Place the thread spools or cones on the spool pins and bring the new thread through the thread guide hanger, back to front.
2. Making as small a knot as possible, tie the spool thread ends securely to the ends of the threads that are through the thread paths. Clip the thread tails of the knot.
3. Note the tension settings* and turn all tension dials to the smallest number.
4. Slowly run the machine until upper and lower looper knots come through the eyes of the upper and lower loopers.
5. Stop the machine and cut needle threads above the eyes of the needles.
6. Rethread eyes of needles manually.
7. Return tension dials to the original settings.
8. Place all four threads under and to the back of the presser foot.

TIP: Before changing the tension dial settings for the first time, write the factory settings in your instruction book.