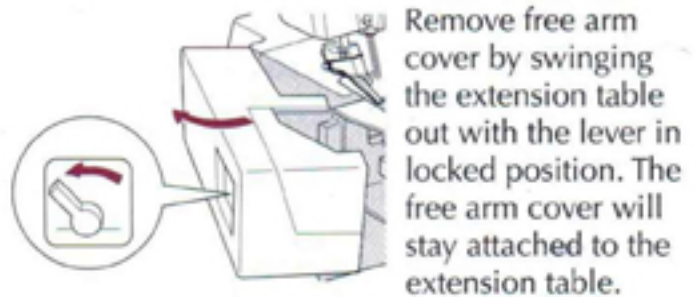
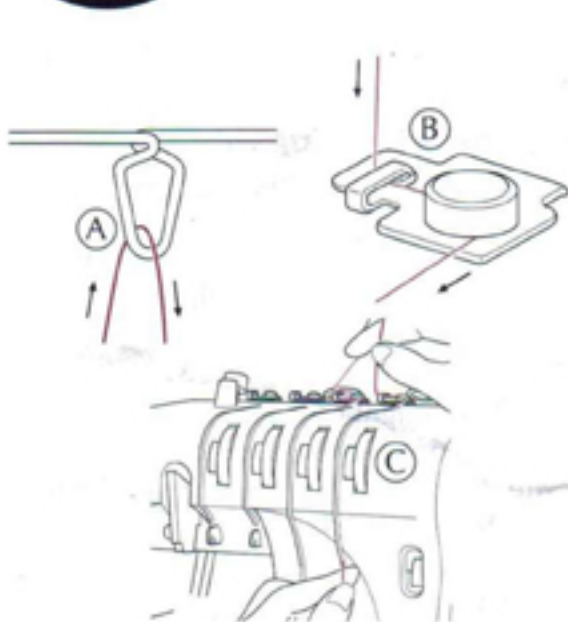


3

Manual Threading

Remove the free arm cover and thread the lower looper thread as illustrated below. Follow the BLUE color marked thread guides.



Remove free arm cover by swinging the extension table out with the lever in locked position. The free arm cover will stay attached to the extension table.

Threading the Lower Looper

- A. Pass thread through top thread guide hanger from back to front.
- B. Bring thread down and pass through the thread guide and under tension disc.
- C. Bring thread straight down through the slot so that it passes between the tension discs. Give the thread a tug to be sure it is lodged between the tension discs.
- D. Hook thread from the right side and pull thread toward the left.
- E. Hook thread from the bottom side.
- F. Hook thread from the bottom side and pull thread toward the left.
- G. Turn handwheel toward you until the lower looper is in extreme left side position. Pass thread through hole using the tweezers.
- H. Turn handwheel until the lower looper is in extreme right position. Use the tweezers to pass thread through lower looper eye, front to back. Pull at least 3 inches of thread through lower looper over upper looper and toward the back of the machine.

